

MOS FIELD EFFECT TRANSISTORS  
**2SK2499, 2SK2499-Z**

SWITCHING  
 N-CHANNEL POWER MOS FET  
 INDUSTRIAL USE

**DESCRIPTION**

The 2SK2499 is N-Channel MOS Field Effect Transistor designed for high current switching applications.

**FEATURES**

- Low On-Resistance  
 $R_{DS(on)1} = 9 \text{ m}\Omega$  ( $V_{GS} = 10 \text{ V}$ ,  $I_D = 25 \text{ A}$ )  
 $R_{DS(on)2} = 14 \text{ m}\Omega$  ( $V_{GS} = 4 \text{ V}$ ,  $I_D = 25 \text{ A}$ )
- Low  $C_{iss}$   $C_{iss} = 3\,400 \text{ pF TYP.}$
- High Avalanche Capability.
- Built-in G-S Protection Diode

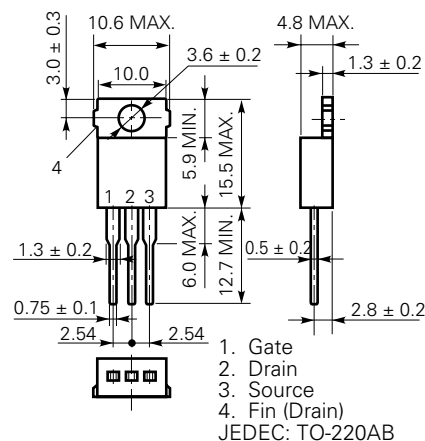
**ABSOLUTE MAXIMUM RATINGS ( $T_A = 25 \text{ }^\circ\text{C}$ )**

Drain to Source Voltage	$V_{DSS}$	60	V
Gate to Source Voltage	$V_{GSS}$	$\pm 20$	V
Drain Current (DC)	$I_{D(DC)}$	$\pm 50$	A
Drain Current (pulse)*	$I_{D(pulse)}$	$\pm 200$	A
Total Power Dissipation ( $T_c = 25 \text{ }^\circ\text{C}$ )	$P_{T1}$	75	W
Total Power Dissipation ( $T_A = 25 \text{ }^\circ\text{C}$ )	$P_{T2}$	1.5	W
Channel Temperature	$T_{ch}$	150	$^\circ\text{C}$
Storage Temperature	$T_{stg}$	-55 to +150	$^\circ\text{C}$
Single Avalanche Current**	$I_{AS}$	50	A
Single Avalanche Energy**	$E_{AS}$	250	mJ

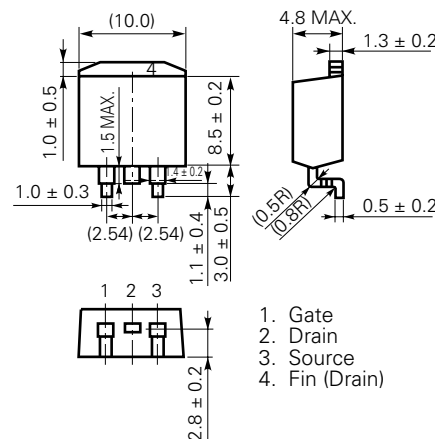
\*  $PW \leq 10 \mu\text{s}$ , Duty Cycle  $\leq 1 \%$

\*\* Starting  $T_{ch} = 25 \text{ }^\circ\text{C}$ ,  $R_G = 25 \Omega$ ,  $V_{GS} = 20 \text{ V} \rightarrow 0$

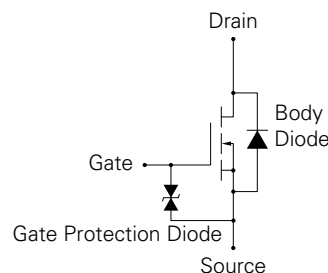
**PACKAGE DIMENSIONS**  
 (in millimeters)



**MP-25 (TO-220)**



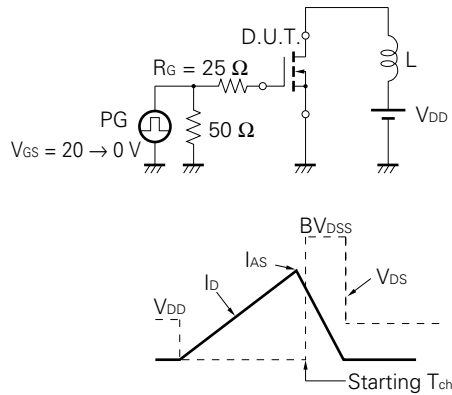
**MP-25Z (SURFACE MOUNT TYPE)**



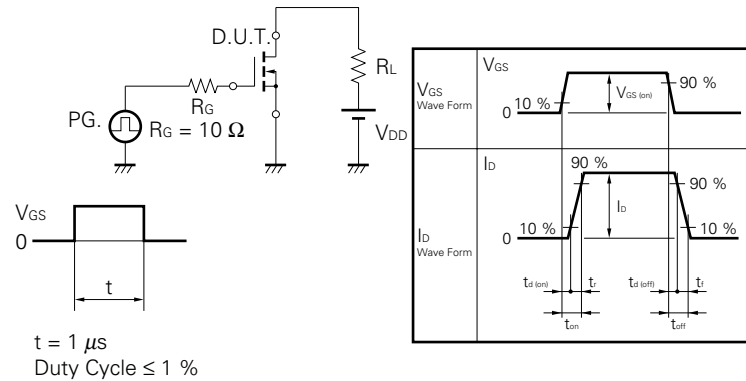
**ELECTRICAL CHARACTERISTICS (T<sub>A</sub> = 25 °C)**

CHARACTERISTIC	SYMBOL	MIN.	TYP.	MAX.	UNIT	TEST CONDITIONS
Drain to Source On-State Resistance	R <sub>DS(on)1</sub>		7.3	9.0	mΩ	V <sub>GS</sub> = 10 V, I <sub>D</sub> = 25 A
	R <sub>DS(on)2</sub>		11	14	mΩ	V <sub>GS</sub> = 4 V, I <sub>D</sub> = 25 A
Gate to Source Cutoff Voltage	V <sub>GS(off)</sub>	1.0	1.5	2.0	V	V <sub>DS</sub> = 10 V, I <sub>D</sub> = 1 mA
Forward Transfer Admittance	y <sub>fs</sub>	20	58		S	V <sub>DS</sub> = 10 V, I <sub>D</sub> = 25 A
Drain Leakage Current	I <sub>DSS</sub>			10	μA	V <sub>DS</sub> = 60 V, V <sub>GS</sub> = 0
Gate to Source Leakage Current	I <sub>GSS</sub>			±10	μA	V <sub>GS</sub> = ±20 V, V <sub>DS</sub> = 0
Input Capacitance	C <sub>iss</sub>		3 400		pF	V <sub>DS</sub> = 10 V
Output Capacitance	C <sub>oss</sub>		1 600		pF	V <sub>GS</sub> = 0
Reverse Transfer Capacitance	C <sub>rss</sub>		770		pF	f = 1 MHz
Turn-On Delay Time	t <sub>d(on)</sub>		55		ns	I <sub>D</sub> = 25 A
Rise Time	t <sub>r</sub>		360		ns	V <sub>GS(on)</sub> = 10 V
Turn-Off Delay Time	t <sub>d(off)</sub>		480		ns	V <sub>DD</sub> = 30 V
Fall Time	t <sub>f</sub>		360		ns	R <sub>G</sub> = 10 Ω
Total Gate Charge	Q <sub>G</sub>		152		nC	I <sub>D</sub> = 50 A
Gate to Source Charge	Q <sub>GS</sub>		11		nC	V <sub>DD</sub> = 48 V
Gate to Drain Charge	Q <sub>GD</sub>		60		nC	V <sub>GS</sub> = 10 V
Body Diode Forward Voltage	V <sub>F(S-D)</sub>		0.92		V	I <sub>F</sub> = 50 A, V <sub>GS</sub> = 0
Reverse Recovery Time	t <sub>rr</sub>		105		ns	I <sub>F</sub> = 50 A, V <sub>GS</sub> = 0
Reverse Recovery Charge	Q <sub>rr</sub>		265		nC	di/dt = 100 A/μs

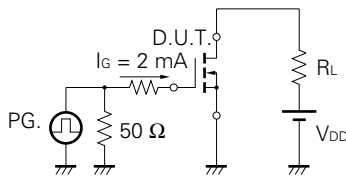
**Test Circuit 1 Avalanche Capability**



**Test Circuit 2 Switching Time**

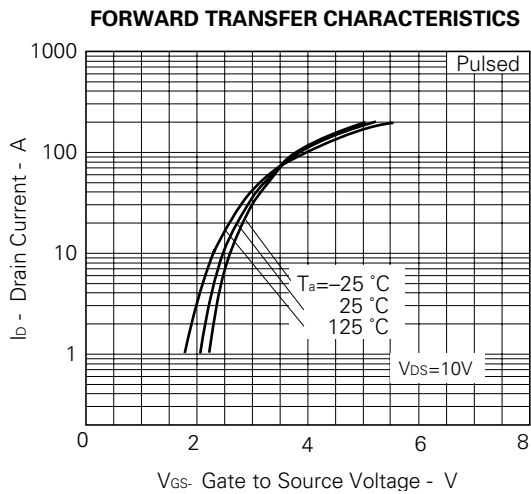
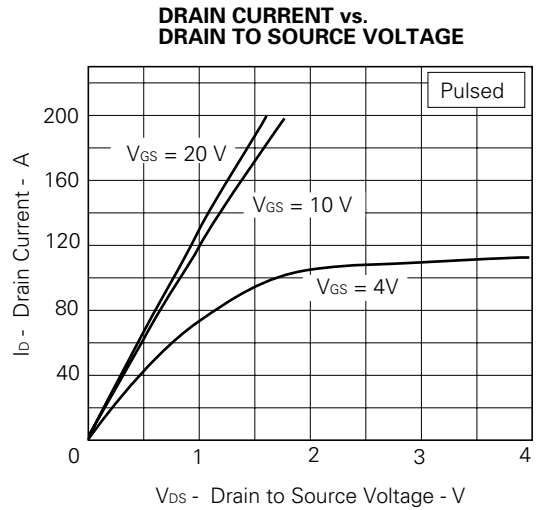
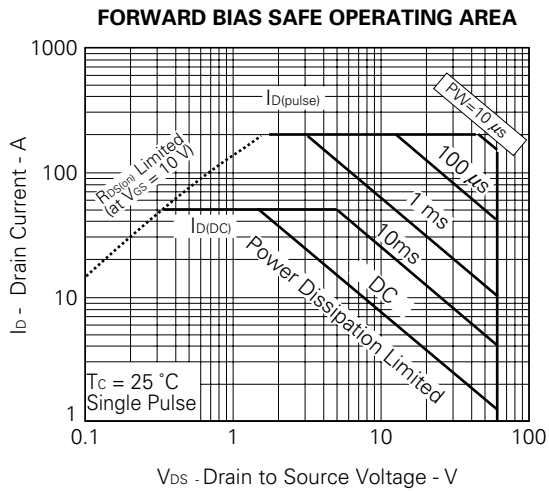
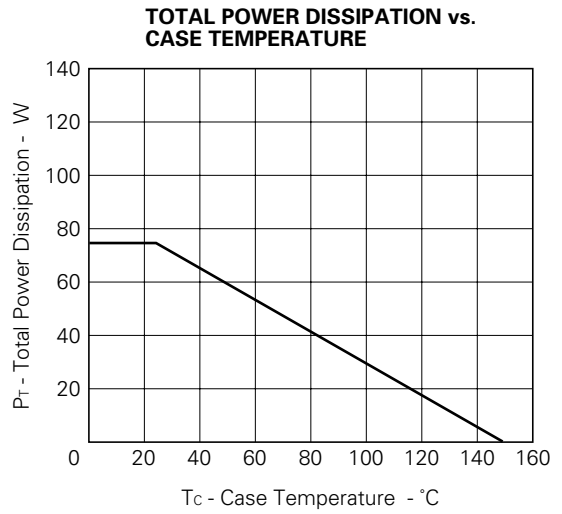
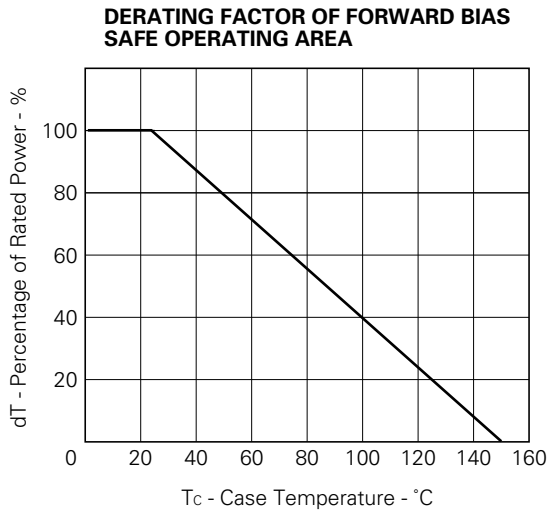


**Test Circuit 3 Gate Charge**

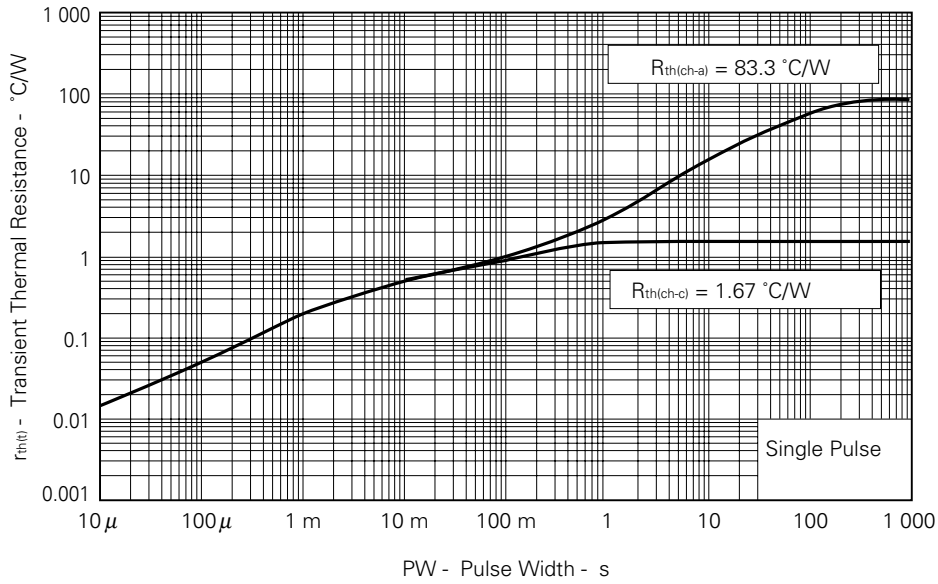


The application circuits and their parameters are for references only and are not intended for use in actual design-in's.

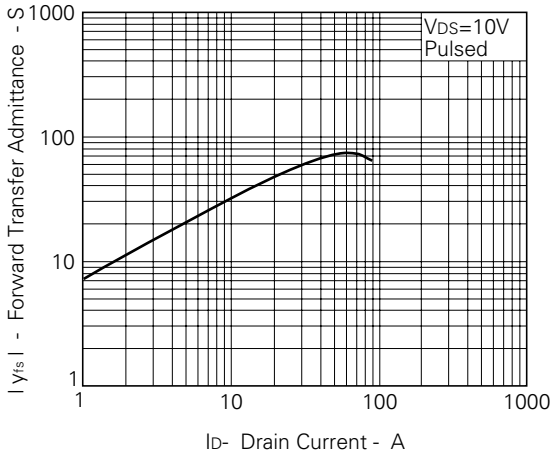
TYPICAL CHARACTERISTICS (T<sub>A</sub> = 25 °C)



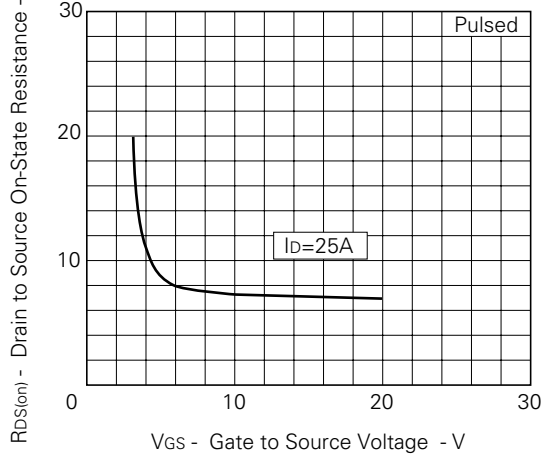
**TRANSIENT THERMAL RESISTANCE vs. PULSE WIDTH**



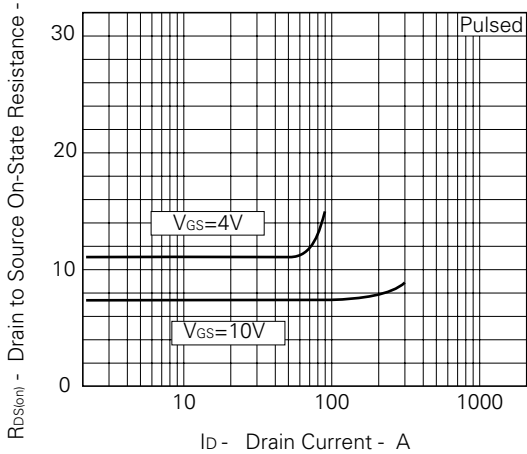
**FORWARD TRANSFER ADMITTANCE vs. DRAIN CURRENT**



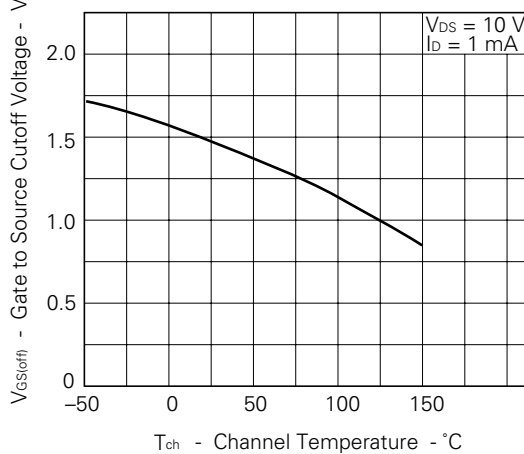
**DRAIN TO SOURCE ON-STATE RESISTANCE vs. GATE TO SOURCE VOLTAGE**

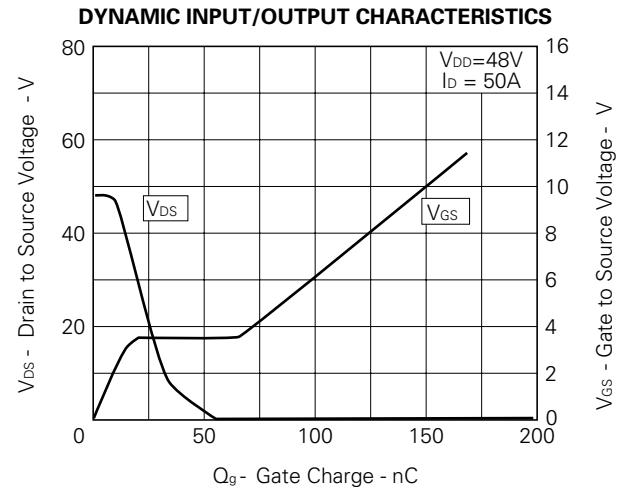
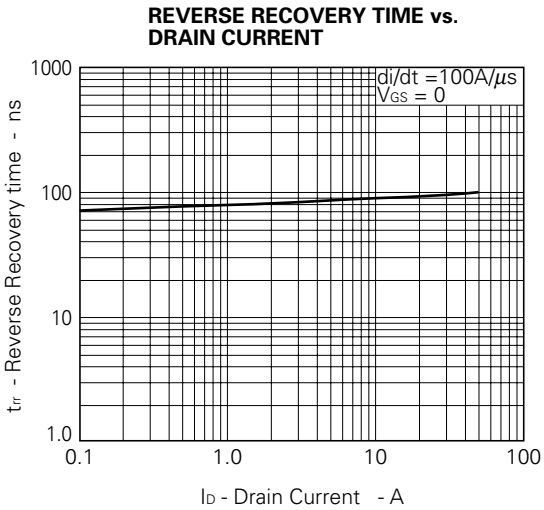
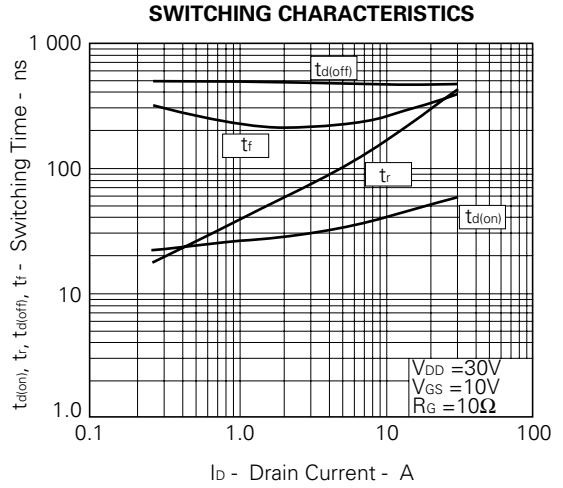
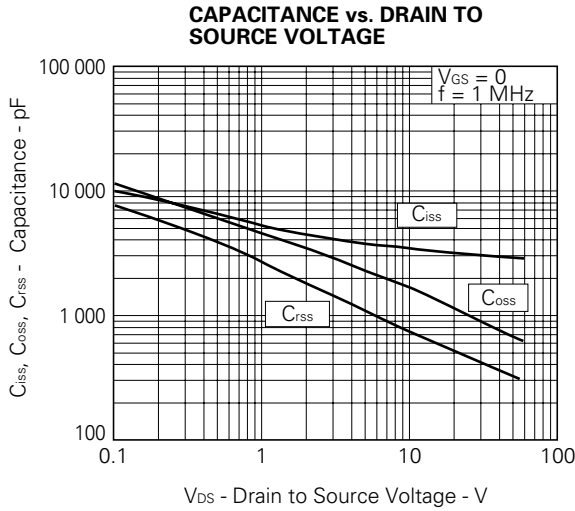
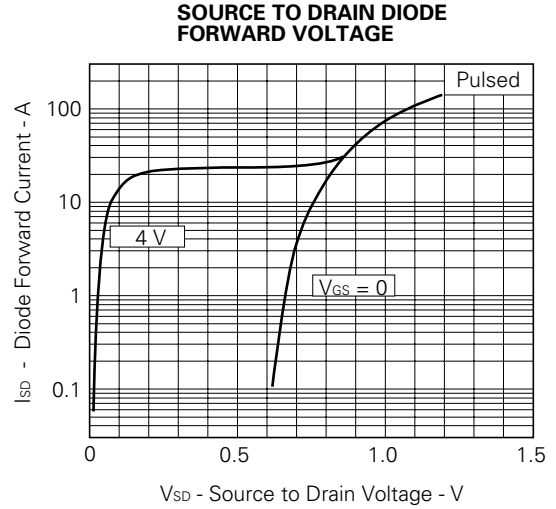
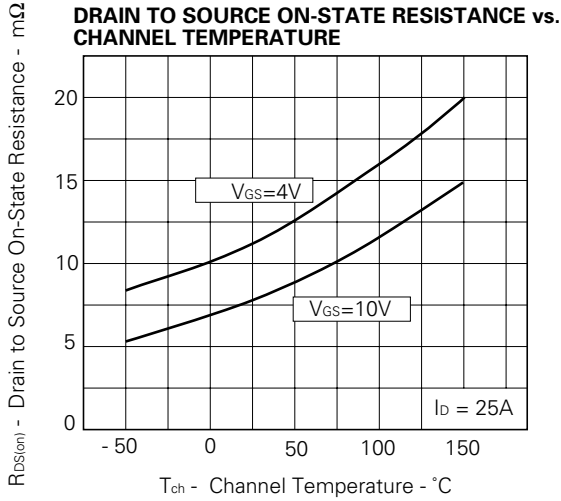


**DRAIN TO SOURCE ON-STATE RESISTANCE vs. DRAIN CURRENT**

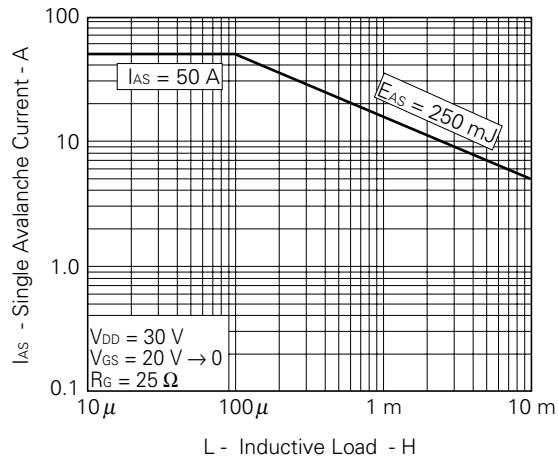


**GATE TO SOURCE CUTOFF VOLTAGE vs. CHANNEL TEMPERATURE**

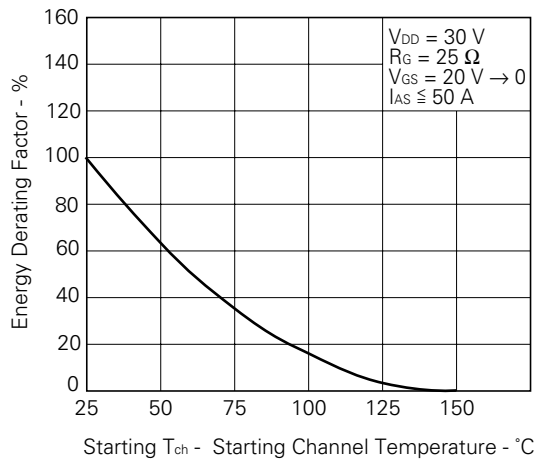




**SINGLE AVALANCHE CURRENT vs. INDUCTIVE LOAD**



**SINGLE AVALANCHE ENERGY DERATING FACTOR**



**REFERENCE**

Document Name	Document No.
NEC semiconductor device reliability/quality control system.	TEI-1202
Quality grade on NEC semiconductor devices.	IEI-1209
Semiconductor device mounting technology manual.	IEI-1207
Semiconductor device package manual.	IEI-1213
Guide to quality assurance for semiconductor devices.	MEI-1202
Semiconductor selection guide.	MF-1134
Power MOS FET features and application switching power supply.	TEA-1034
Application circuits using Power MOS FET.	TEA-1035
Safe operating area of Power MOS FET.	TEA-1037

The diode connected between the gate and source of the transistor serves as a protector against ESD. When this device is actually used, an additional protection circuit is externally required if a voltage exceeding the rated voltage may be applied to this device.

## [MEMO]

No part of this document may be copied or reproduced in any form or by any means without the prior written consent of NEC Corporation. NEC Corporation assumes no responsibility for any errors which may appear in this document.

NEC Corporation does not assume any liability for infringement of patents, copyrights or other intellectual property rights of third parties by or arising from use of a device described herein or any other liability arising from use of such device. No license, either express, implied or otherwise, is granted under any patents, copyrights or other intellectual property rights of NEC Corporation or others.

While NEC Corporation has been making continuous effort to enhance the reliability of its semiconductor devices, the possibility of defects cannot be eliminated entirely. To minimize risks of damage or injury to persons or property arising from a defect in an NEC semiconductor device, customer must incorporate sufficient safety measures in its design, such as redundancy, fire-containment, and anti-failure features.

NEC devices are classified into the following three quality grades:

“Standard”, “Special”, and “Specific”. The Specific quality grade applies only to devices developed based on a customer designated “quality assurance program” for a specific application. The recommended applications of a device depend on its quality grade, as indicated below. Customers must check the quality grade of each device before using it in a particular application.

Standard: Computers, office equipment, communications equipment, test and measurement equipment, audio and visual equipment, home electronic appliances, machine tools, personal electronic equipment and industrial robots

Special: Transportation equipment (automobiles, trains, ships, etc.), traffic control systems, anti-disaster systems, anti-crime systems, safety equipment and medical equipment (not specifically designed for life support)

Specific: Aircrafts, aerospace equipment, submersible repeaters, nuclear reactor control systems, life support systems or medical equipment for life support, etc.

The quality grade of NEC devices in “Standard” unless otherwise specified in NEC's Data Sheets or Data Books. If customers intend to use NEC devices for applications other than those specified for Standard quality grade, they should contact NEC Sales Representative in advance.

Anti-radioactive design is not implemented in this product.